

Approval Sheet

Model	TS-05211
--------------	-----------------

Customer	
Approved by	

Supplier	
Desinged by	
Checked by	
Approved by	

Index

1. Features	-----	3
2. Picture	-----	3
3. Specification	-----	4
4. Interface	-----	5
5. Drawing	-----	7
6. Revision	-----	7

1. Features

- 5MP Max. 2592x1944 30fps
- Triple Streams
- 42 x 42mm, 2 Boards
- DC Iris, TDN, Two Motor(Z/F) Support
- Option: IR LED, CDS, Alarm In/Out, Micro CD card, PoE
- Onvif(TDB)

2. Picture

Sensor Board - Top



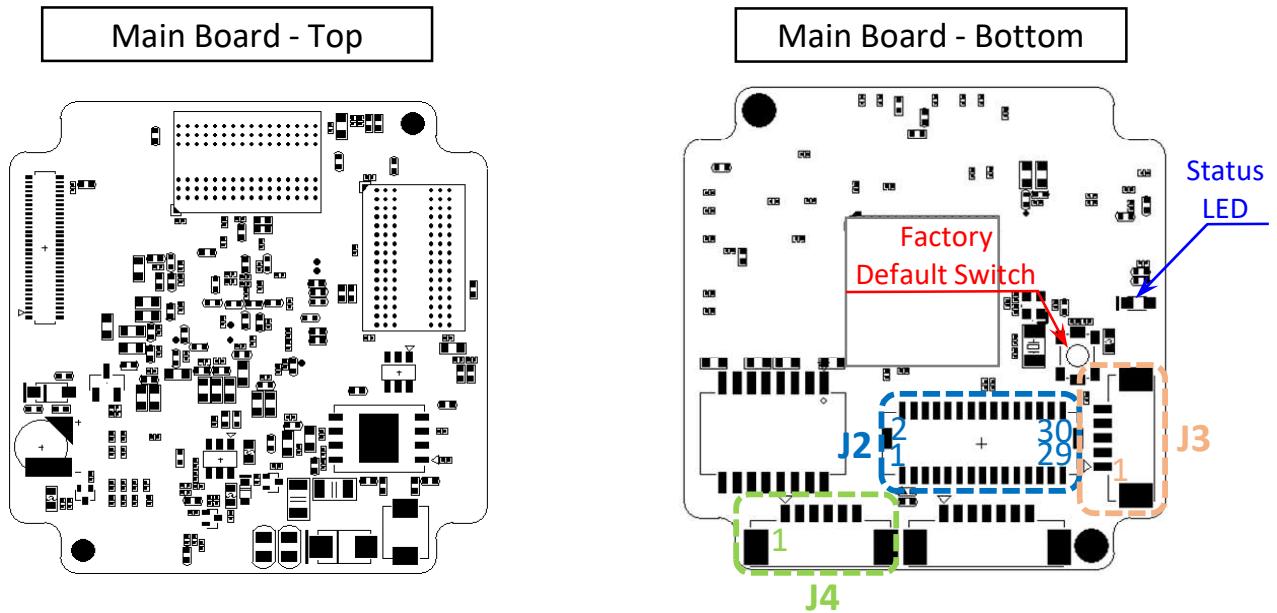
Main Board - Top



3. Specification

Item		content
Image	Sensor	Sony Exmor 5.69Mega Pixels Image Sensor
	Size	1/2.8 inch
	Scan	Progressive
	Total Pixels	2704 (H) x 2104 (V)
	Effective Pixels	2616(H) x 1964 (V)
Function	Day & Night	Auto / Color / B&W
	Privacy Area	On / Off (8 Programmable Zones)
	Motion Detection	432 Zone, Sensitivity 1 ~ 5 Step, On Off
	WDR	Real WDR
	DNR	2DNR, 3DNR, On / Off (Adjust)
	Defog	detects foggy, On / Off (Adjust)
	Elec. Shutter	Auto(1/30 ~ 30 000), Suppress Rolling, Manual
	Color Adjust	Bright / Contrast / Saturation / Sharp / Hue
	White Balance	Auto / User
	OSD display	Text, Date, Time, Event, On / Off
	Image Mirror	Normal / mirror(H) / Flip(V) / Both(HV)
Electrical	Power Supply	DC12[V] 10%
	Current	Max 300[mA]
Physical Spec	Dimension	32mm(W) X 32mm(H) X 8.0mm(D), without holder
	Weight	40g
Network	Interface	RJ45 10/100 Base
	Protocol	TCP/IP,UDP/IP,RTP,RTSP,RTCP,NTP, HTTP,DHCP,FTP,SMTP,DNS,DDNS
	Onvif	Ver19.12
	Simultaneous Access	Max. 10 user
Video	Compress Format	H.265/H.264/MJPEG
	Resolution	2560x1920/2560x1440/2048x1536 /1920x1080/1280x720 /640x480/640x360/320x240
	Max. Frame Rate	30fps @all resolution
	Video Quality	H.265/H.264 : CBR/VBR MJPEG : Quality Level Control
	Streaming	Triple Stream (Stream1,2,3) RTP/RTSP, UnicastRTP, Multicast RTP
Audio	Compress Format	Not Support
	Streaming	Not Support
Event	Sensor In	Not Support
	Alarm Out	Not Support
Web Broser	OS	Windows 7, 8, 10
	Viewer	IE11, Edge, Chrome, Firefox

4. Interface



J2(BM30B-SRDS-G-TG): Option [Housing: SHDR-30V-S-B(JST)]

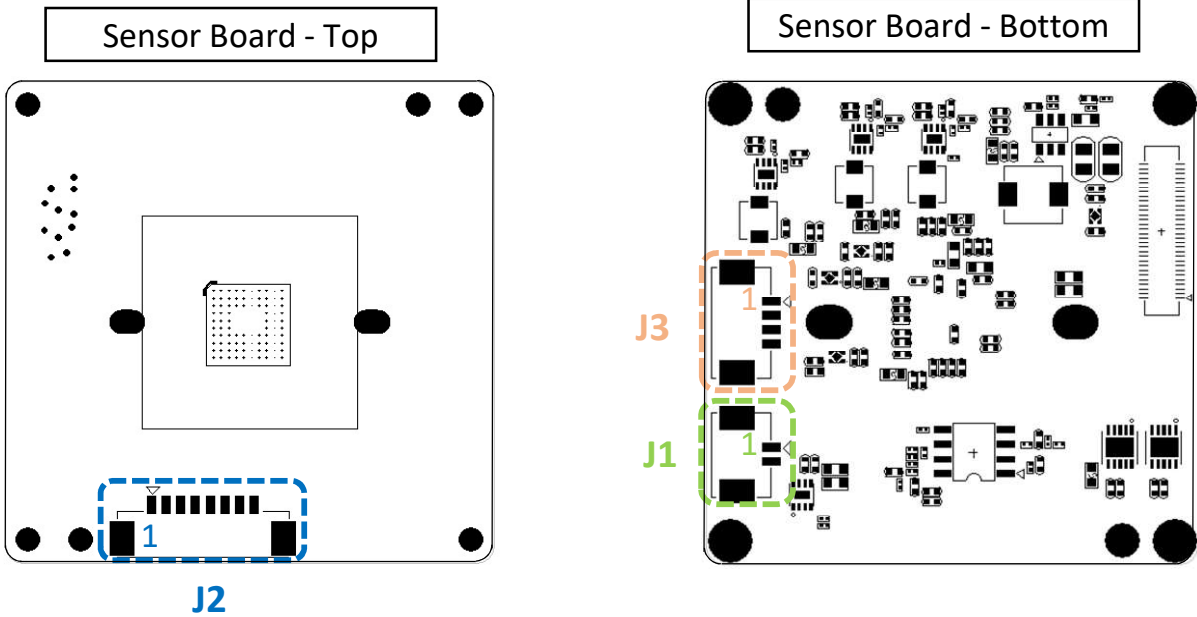
No.	Pin Name	Description	No.	Pin Name	Description
1	VCC12V	POE DC+12V Input	2	VDD3V3	DC +3.3V
3	GND	Ground	4	-	-
5	CR_POE	LAN_CRX to POE	6	GND	Ground
7	CT_POE	LAN_CTX to POE	8	ACT_LED	LAN Act, to Cathode
9	ALARM_OUT	Open Collector	10	STATUS_LED	Status LED
11	ALARM_IN	Open / Close(Low)	12	LED_OFF	LED Off, DC3.3V Input
13	LINE_IN	Audio Input (C-mic)	14	RESET	System Reset, Low
15	LINE_OUT	Audio Line Out	16	FDSW	Factory Default, Low
17	LINK_LED	LAN Link, to Anode	18	-	-
19	GND	Ground	20	-	-
21	SD_WP	SD CARD Write Protect	22	VDD3V3	DC +3.3V
23	SD_CLK	SD CARD DATA CLOCK	24	GND	Ground
25	SD_DATA3	SD CARD DATA Bit 3	26	SD_CD	SD CARD Detect
27	SD_DATA2	SD CARD DATA Bit 2	28	SD_CMD	SD CARD CMD
29	SD_DATA1	SD CARD DATA Bit 1	30	SD_DATA0	SD CARD DATA Bit 0

J3(12505WS-05): IR LED & CDS [Housing: 12505HS-05(Yeon Ho Electronic)]

No.	Pin Name	Description
1	VCC12V	DC12V Output for IR LED
2	IR_LED	IR LED Control
3	CDS_IN	CDS Sensor Input
4	GND	Ground
5	-	-

J4(12505WS-06): Power Input & LAN [Housing: 12505HS-06(Yeon Ho Electronic)]

No.	Pin Name	Description
1	VCC12V	DC12V Input
2	GND	Ground
3	RX-	Ethernet Rx-
4	RX+	Ethernet Rx+
5	TX-	Ethernet Tx-
6	TX+	Ethernet Tx-



J1(12505WR-02): ICR Control [Housing: 12505HS-02(Yeon Ho Electronic)]

No.	Pin Name	Description
1	OUT1	DC Actuator Control for ICR
2	OUT2	DC Actuator Control for ICR

J2(12505WS-08): Zoom & Focus [Housing: 12505HS-08(Yeon Ho Electronic)]

No.	Pin Name	Description
1	FA-	Focus A-
2	FA+	Focus A+
3	ZA-	Zoom A-
4	ZA+	Zoom A+
5	ZB+	Zoom B+
6	ZB-	Zoom B-
7	FB-	Focus B-
8	FB+	Focus B+

J3(12505WR-04): DC IRIS Lens [Housing: 12505HS-04(Yeon Ho Electronic)]

No.	Pin Name	Description
1	DMP+	DC IRIS Damping +
2	DMP-	DC IRIS Damping -
3	DRV+	DC IRIS Drive +
4	DRV-	DC IRIS Drive -

